

# DMX LED Driver 96 watt - Installation Instructions

MODELS PSDMX-96-24



7777 Merrimac Ave  
Niles, IL 60714  
T 224.333.6033  
F 224.757.7557  
info@luminii.com  
www.luminii.com

PLENUM FOR SUCH USE IN ACCORDANCE WITH UL2043

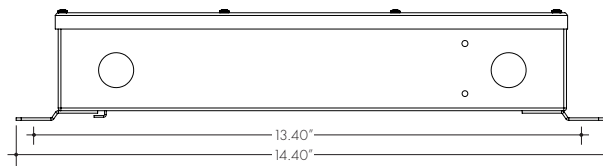
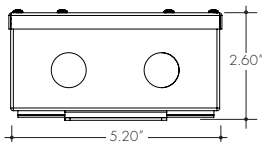
REV.0.9  
05162023

1 / 3

**Please read all instructions prior to installation and keep for future reference!**

This LED Driver is to be installed in accordance with Article 450 of the National Electrical Code. The LED Driver must be installed in a well ventilated area and free from explosive gases and vapors. Proper operation requires the free flow of air. As this LED Driver is hardwired, it should only be installed by a qualified electrician. Suitable for Damp locations.

Input	120 - 277 V AC, 1.1 A, 50/60 Hz
Output	24 V DC, 4.0 A
Max. Wattage	96 W



**1**

Before installing, check the label and ensure the LED driver has the proper input voltage, output voltage, and wattage for the job. Check the wire markings to ensure they match the wiring diagram below. Refer to table above for the maximum loads!

3" min.

← 3" min. →

← 3" min. →

**1.1** LED driver can be mounted vertically or horizontally. With a minimum of 3" clearance around LED driver to provide proper air circulation.

**2**

**2.1** Remove the eight Phillips screws from the top of the driver housing and pull the cover off to expose the driver wires.

**3**

DMX controller wire conduit

driver housing

LED wire conduit

120-277 VAC conduit

**3.1** Insert the 120 - 277V AC power into the driver housing from the electrical panel. Followed by bringing 24V DC low voltage conduit one for the LED and other for the controller wires. Refer to diagram on page 2 to make all the proper wiring connections. Also, refer to page 3 to program decoder correctly.

# DMX LED Driver 96 watt - Installation Instructions

MODELS PSDMX-96-24

Please read all instructions prior to installation and keep for future reference!

This LED Driver is to be installed in accordance with Article 450 of the National Electrical Code. The LED Driver must be installed in a well ventilated area and free from explosive gases and vapors. Proper operation requires the free flow of air. As this LED Driver is hardwired, it should only be installed by a qualified electrician. Suitable for Damp locations.

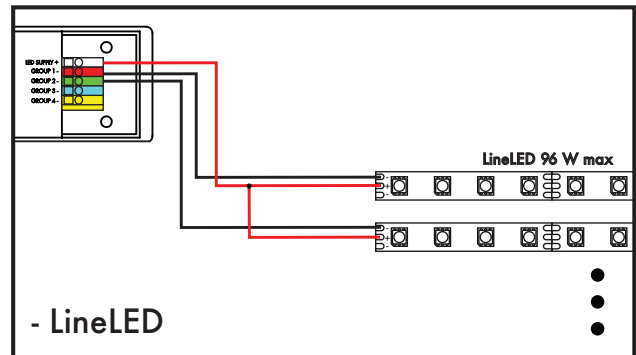
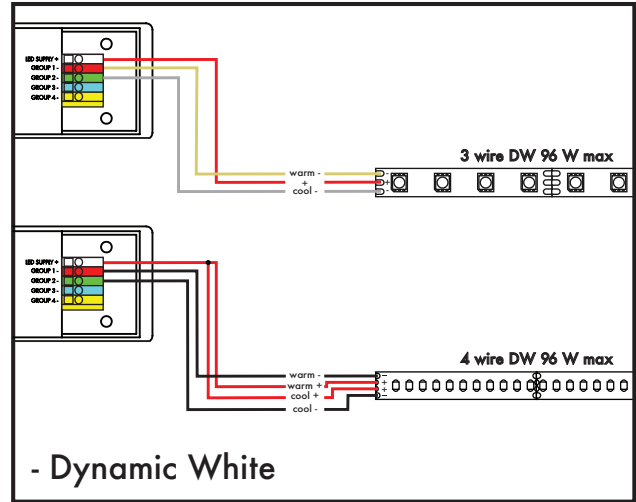
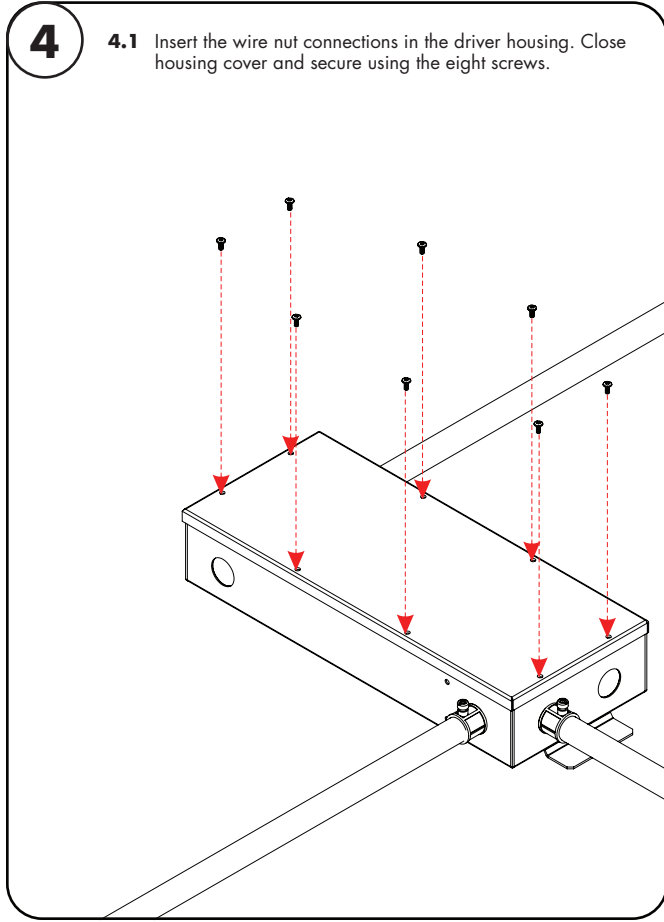


7777 Merrimac Ave  
Niles, IL 60714  
T 224.333.6033  
F 224.757.7557  
info@luminii.com  
www.luminii.com

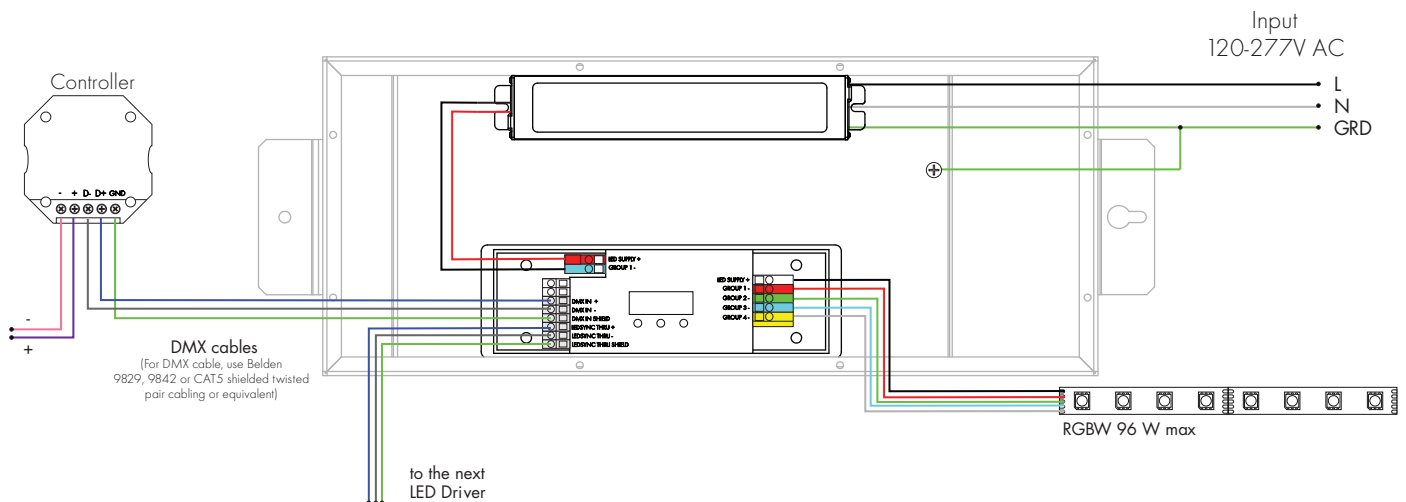
PLENUM FOR SUCH USE IN ACCORDANCE WITH UL2043

REV.0.9  
05162023

2 / 3



## WIRING DIAGRAM



# DMX LED Driver 96 watt - Installation Instructions

MODELS PSDMX-96-24

Please read all instructions prior to installation and keep for future reference!

This LED Driver is to be installed in accordance with Article 450 of the National Electrical Code. The LED Driver must be installed in a well ventilated area and free from explosive gases and vapors. Proper operation requires the free flow of air. As this LED Driver is hardwired, it should only be installed by a qualified electrician. Suitable for Damp locations.

PLENUM FOR SUCH USE IN ACCORDANCE WITH UL2043



REV.0.9  
05162023

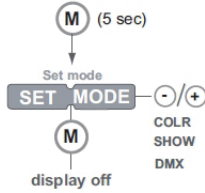


7777 Merrimac Ave  
Niles, IL 60714  
T 224.333.6033  
F 224.757.7557  
info@luminii.com  
www.luminii.com

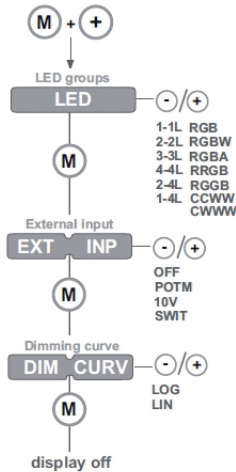
## Programming the Decoder

### Manual configuration

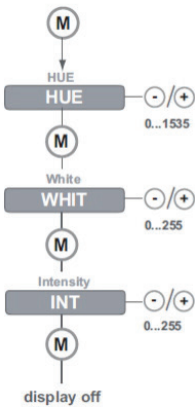
#### 1. Select mode of operation:



#### 2. Set LED groups:

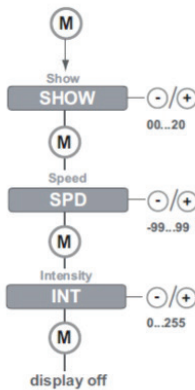


#### 3. Standalone operation - Colour\* -



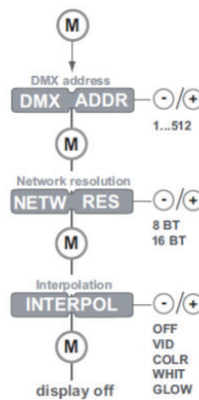
or

#### Standalone operation - Show -



or

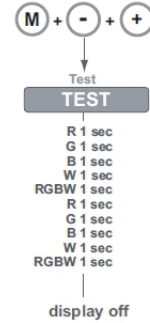
#### Networked operation - DMX -



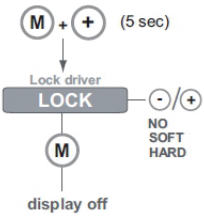
\* The colour menu depends on the LED group settings you have selected in step 2.

### Other features

#### Visual test run



#### Locking the configuration:



#### Reset to factory defaults

